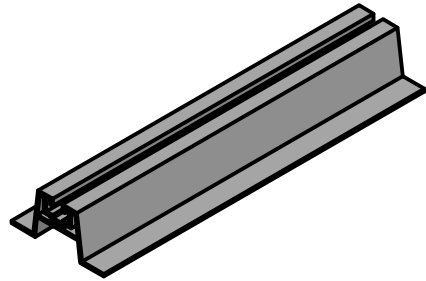
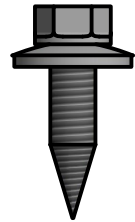


Installation instructions on pitched roof construction by use of the trapezoidal profiled sheet

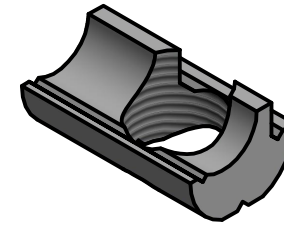
Elements required



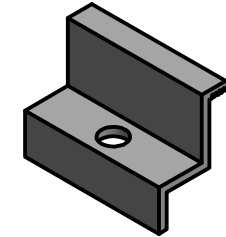
1. Trapezoidal rail lift
(cat. no.20011)



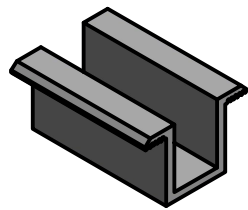
2. Bi-metal bolt
(cat. no.50860)



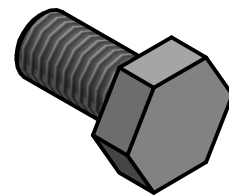
3. Inlet with ball
(cat. no.50032)



4. End clamp
(cat. no.10ZXX/10ZXXR)



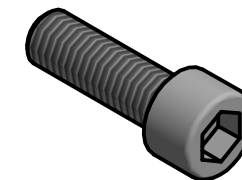
5. middle clamp
(cat. no.10U24/10U24R)



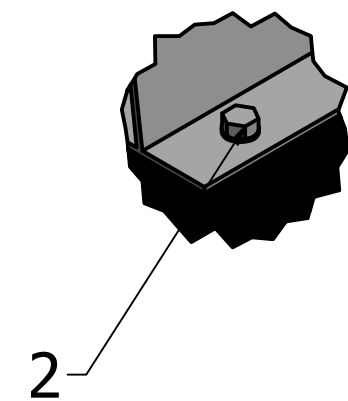
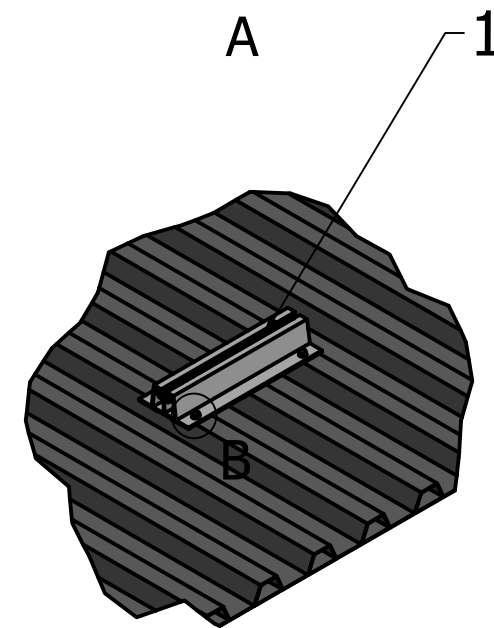
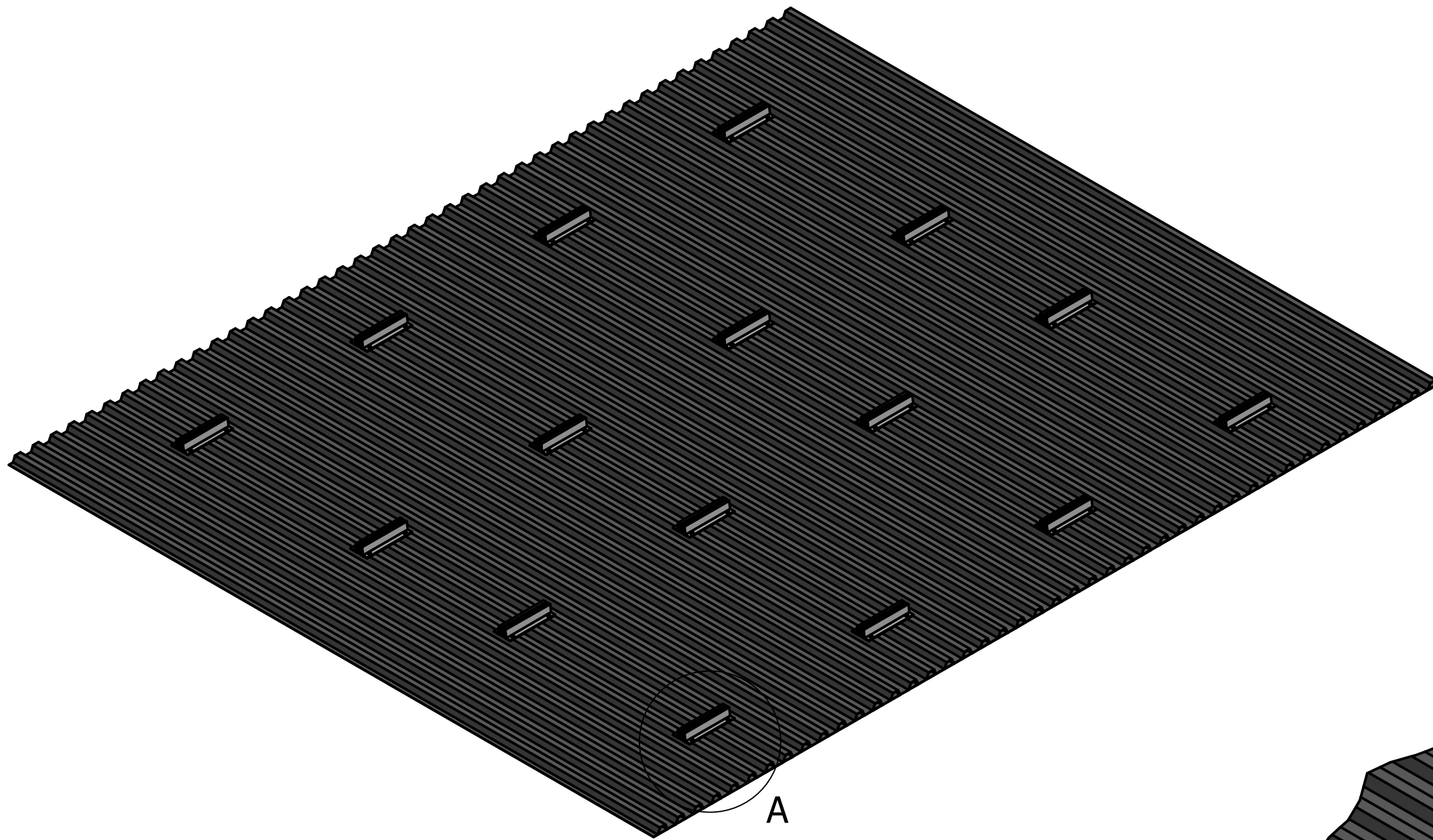
6. Hexagonal bolt
M8x20 (cat. no.50820)



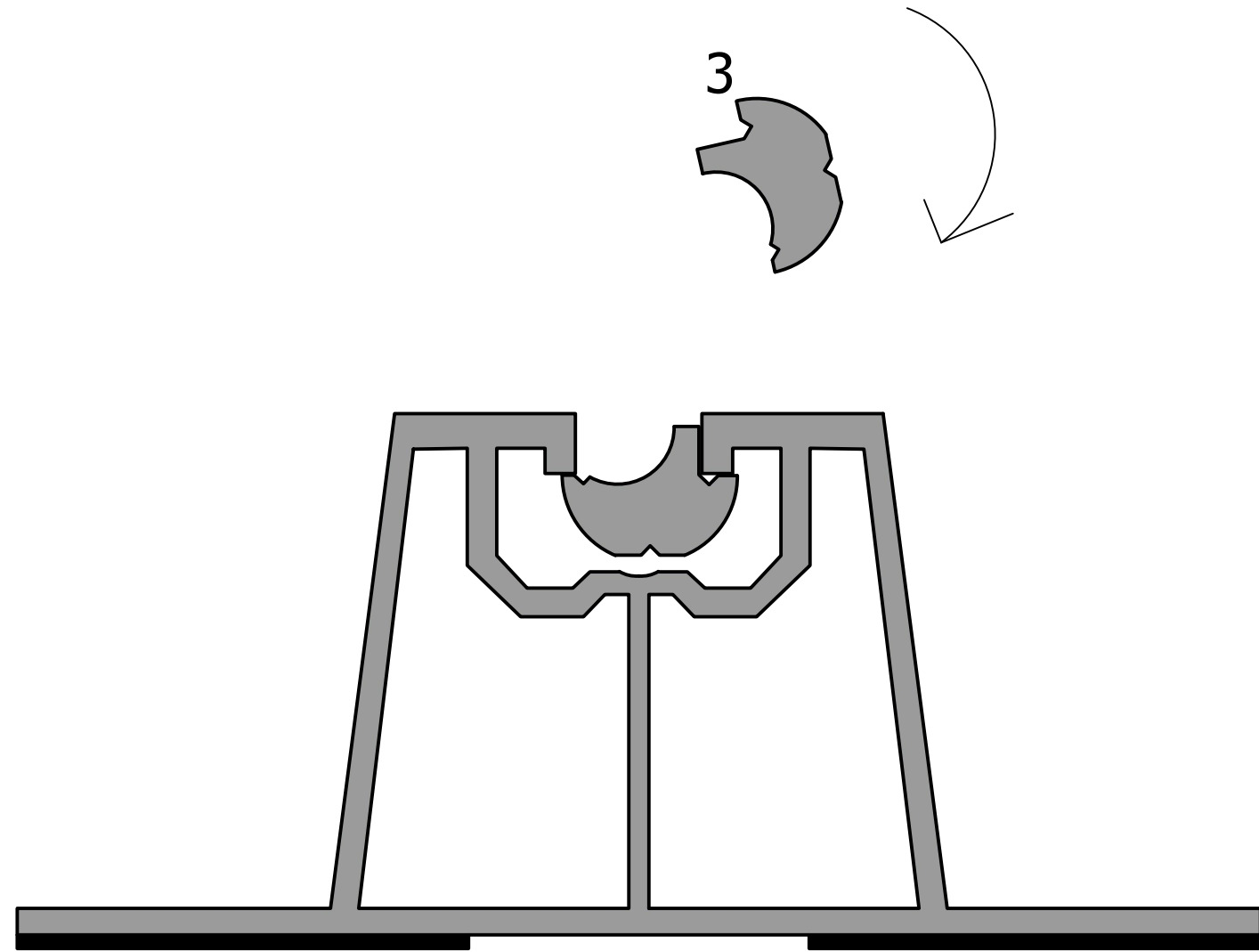
7. Flange bolt
M8 (cat. no.5010K)

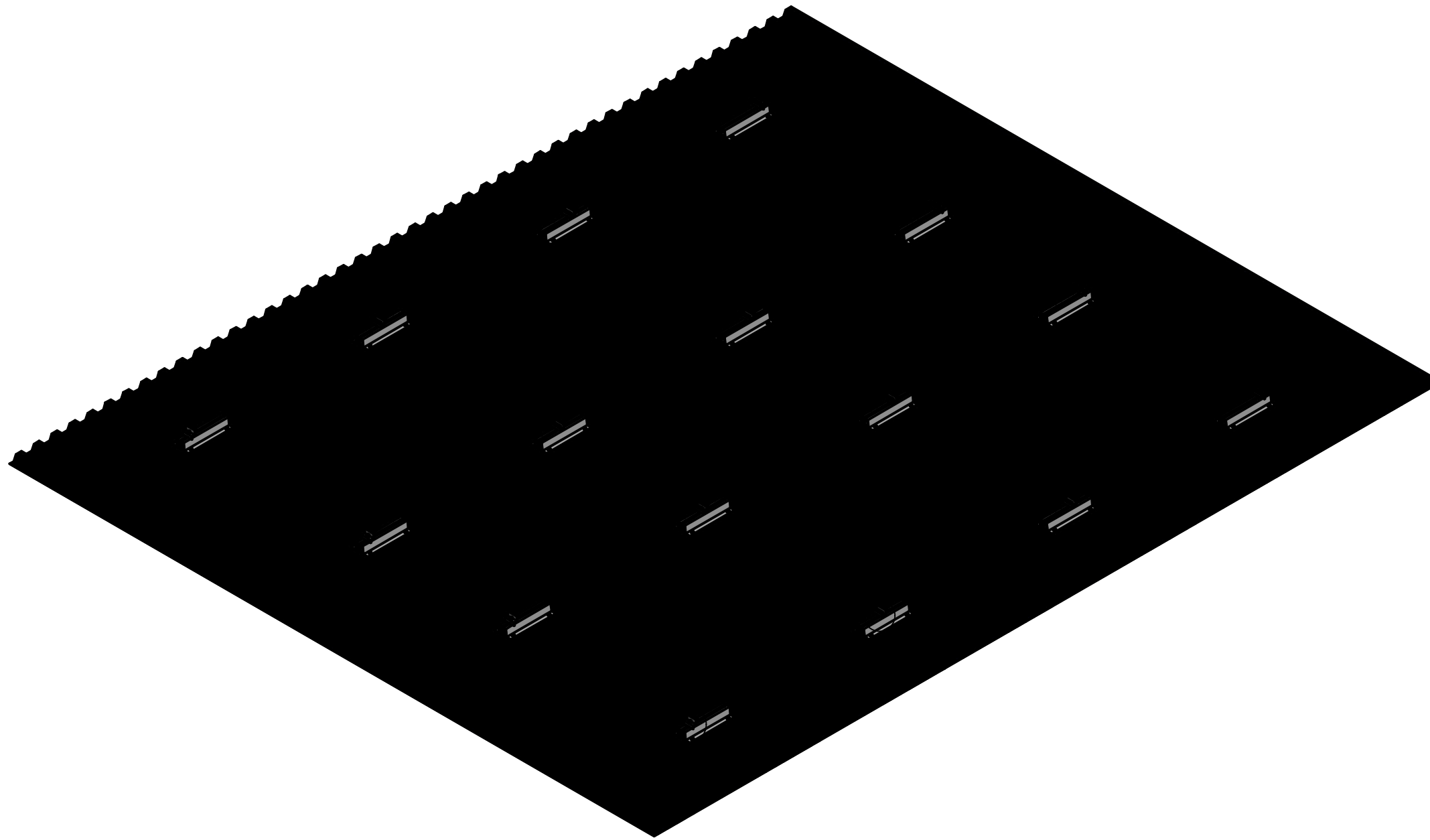


8. Allen screw
M8 (cat. no.50816-50830)

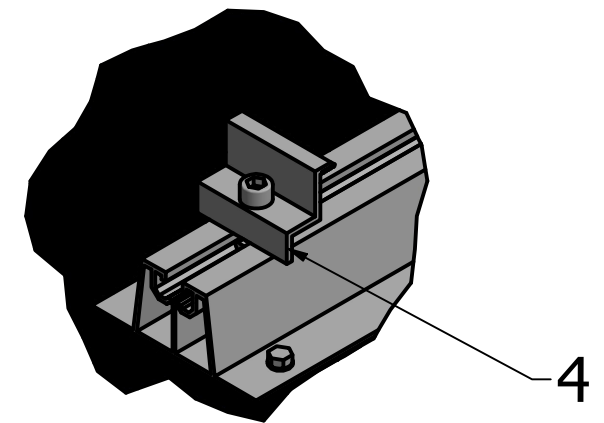


In the first phase, we plan the layout of the trapezoidal profiled sheet.
Then attach it using a 6.0x25 bi-metal (cat. no. 41100) bolt in the way to make the trapezoidal profiled sheet turned perpendicular to the notch plus to leave at least four support points.
Be sure not to drill the holes as these are self-drilling screws.



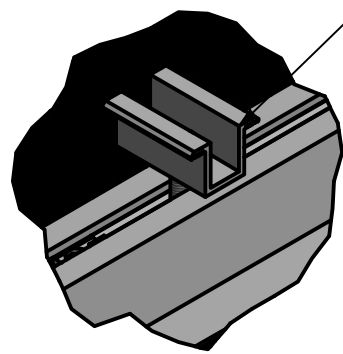


A



B

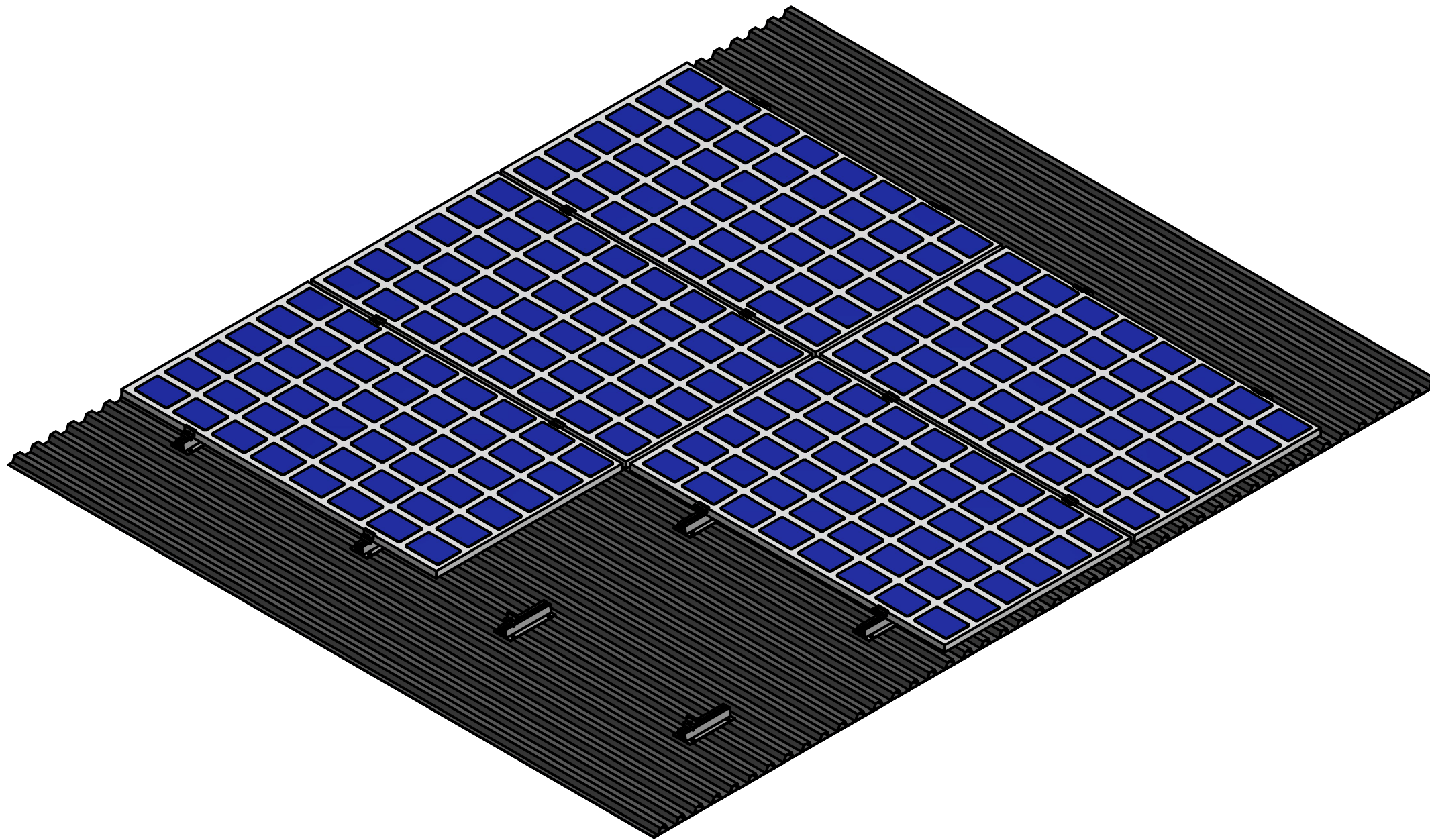
5



The blank drains will be occupied by the mid clamp (cat. no.10U24/10U24R), thanks to them two adjacent modules are separated from each other.

To the aluminum drain that is placed on the profiles, fix the metal end clamps (cat. no. 10XX/10ZXXR) using the allen bolt M8** (they need to be screwed into the aluminum drain), remember to do not screw them too hard as due to the need to change the module.

***-"XX" is the clamp height in millimeters (25,30,32,35,40)mm, R is the clamp height in black.**
**** -Thread length for Allen screw M8 (16,20,25,30)mm.**



In the last step, deploy the modules on the structure, set them properly and then screw the mid clamps and end clamps.