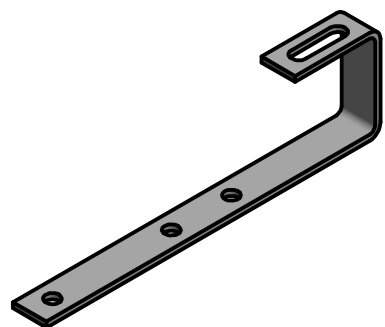
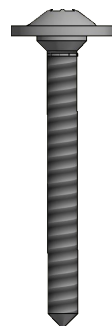


Installation instructions on pitched roof construction by use of the type " L" hook

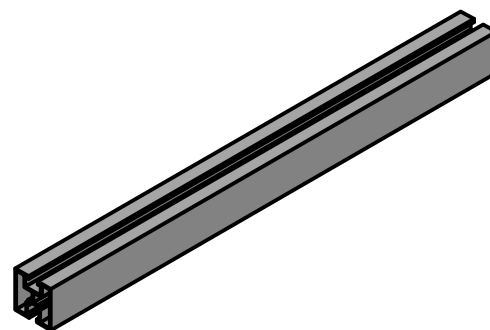
Elements required



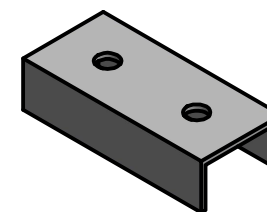
1. L-shaped hook
(cat. no.20255R, 20255)



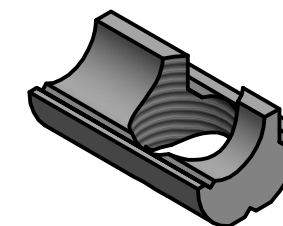
2. TCS screw
(cat. no.50860)



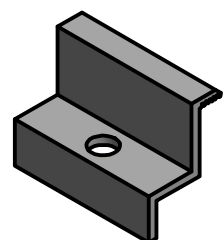
3. Mounting profile
(cat. no. 34207-34414)



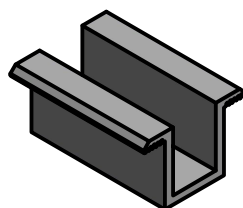
4. C120 connector
(cat. no. 50120)



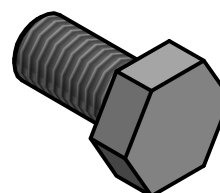
5. Inlet with ball
(cat. no.50032)



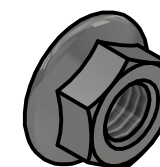
6. End clamp
(cat. no.10ZXX/10ZXXR)



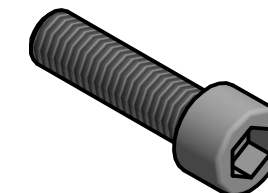
7. Middle clamp
(cat. no.10U24/10U24R)



8. Hexagonal screw
M10x20 (cat. no.50120)

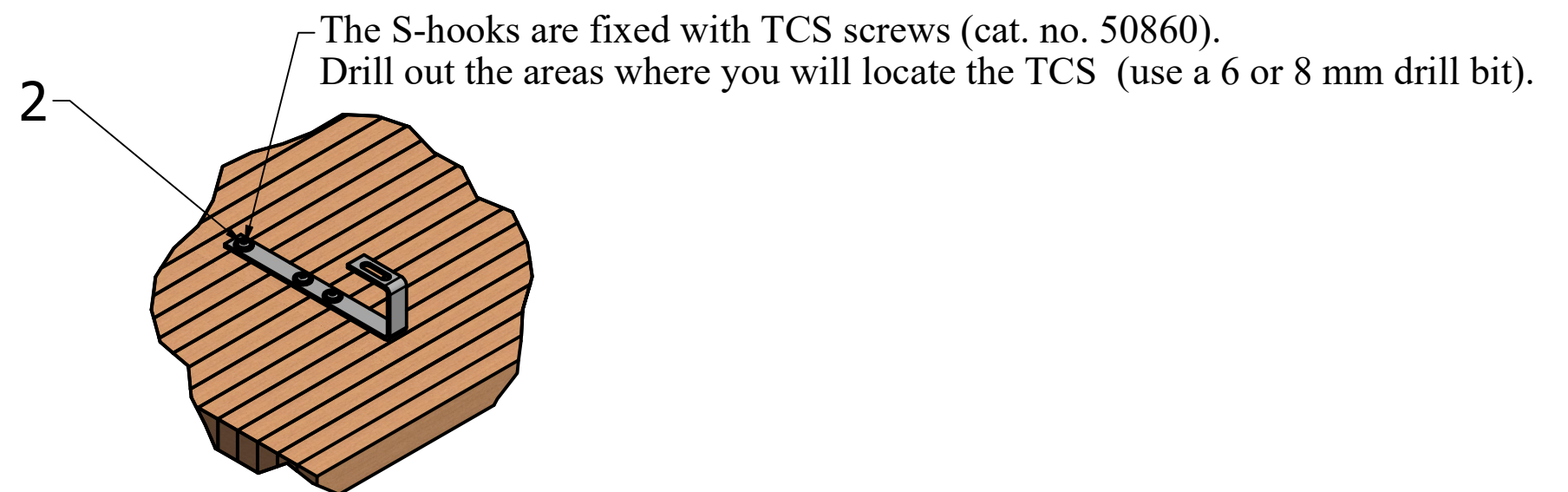
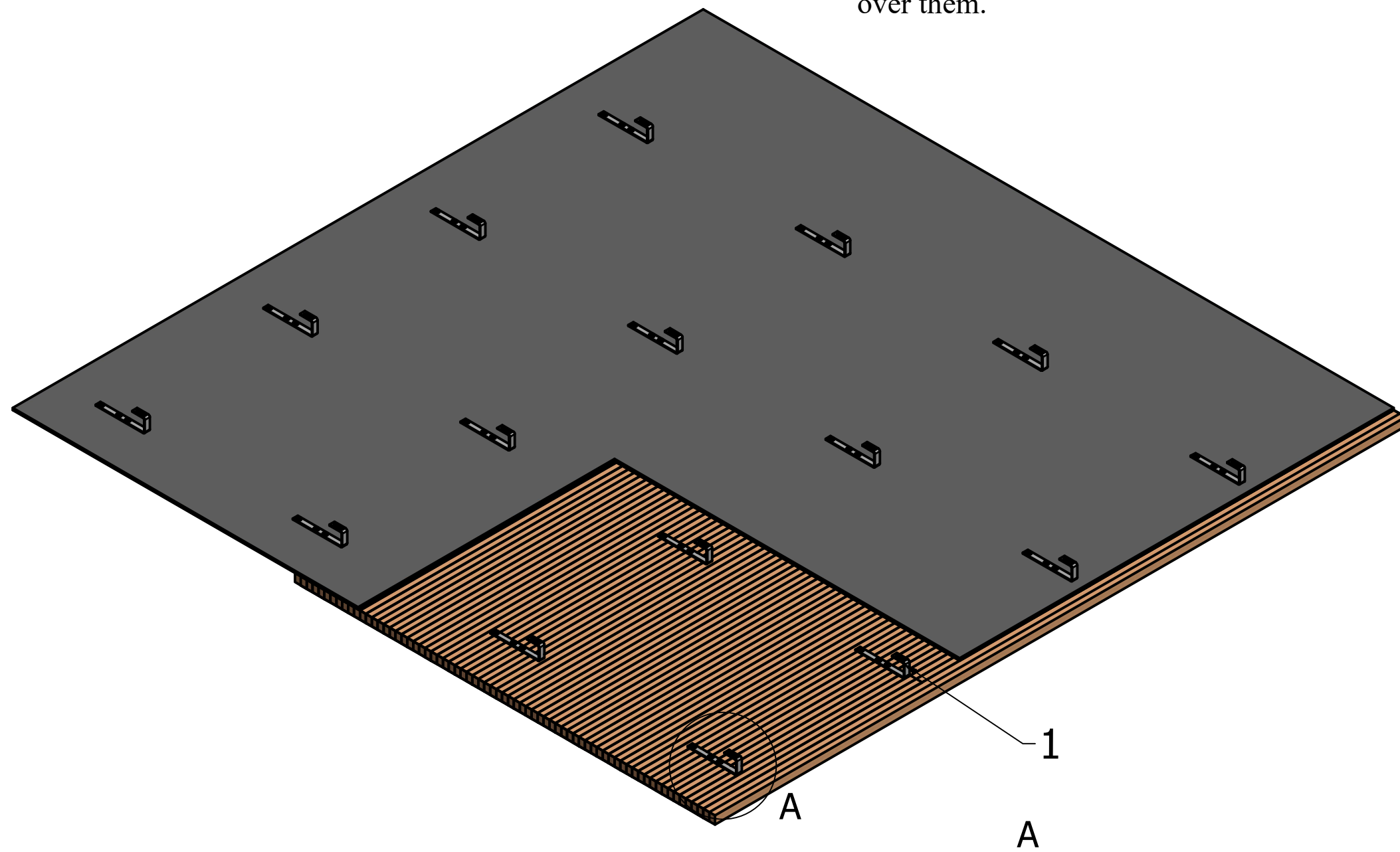


9. Flange nut
M10(cat. no.5010K)

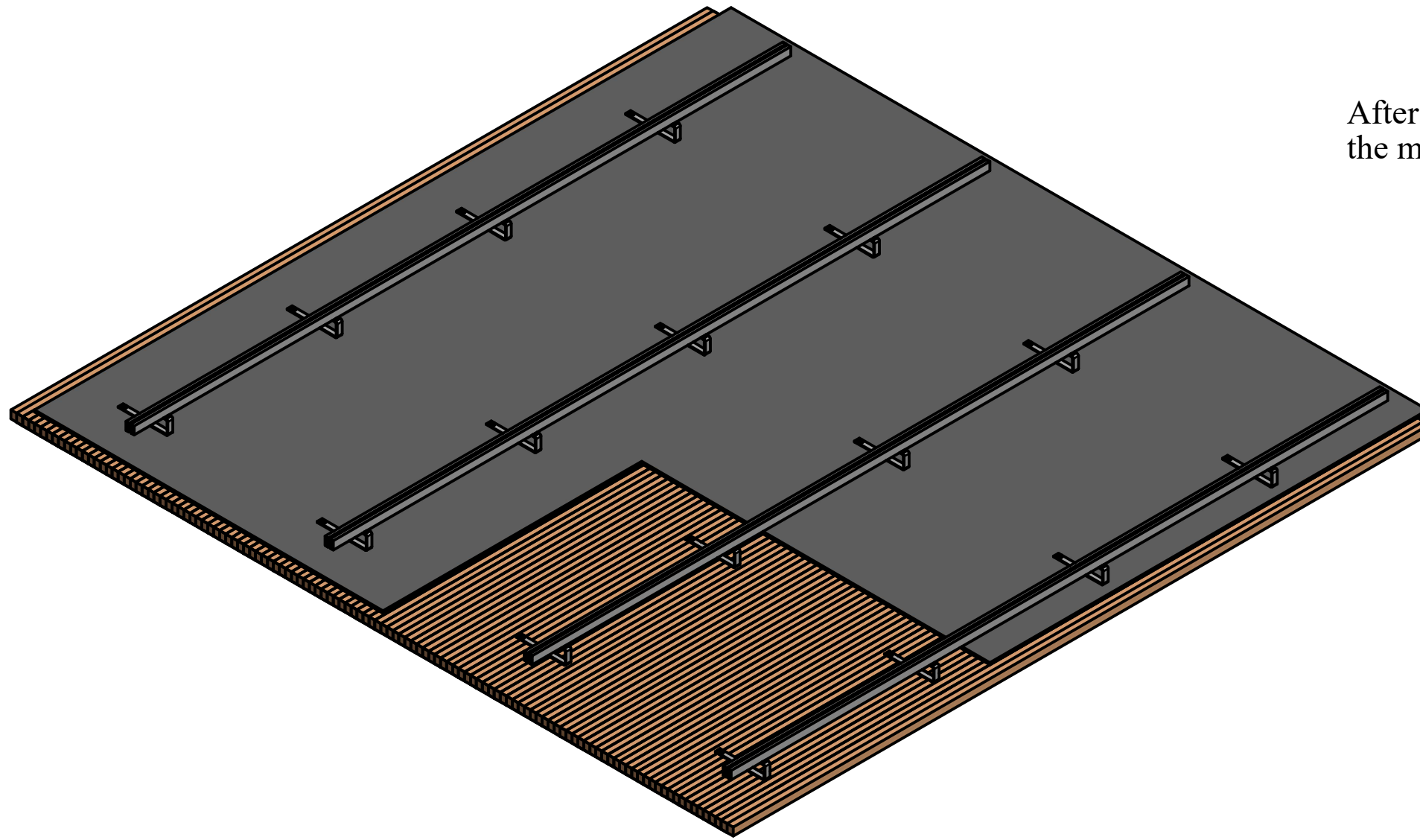


10. Allen screw
M8 (cat. no.50816-50830)

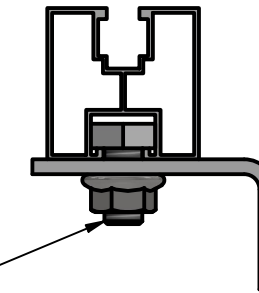
After locating the boards under the felt, place the S-hooks (cat. no. 20255R, 20255) over them.



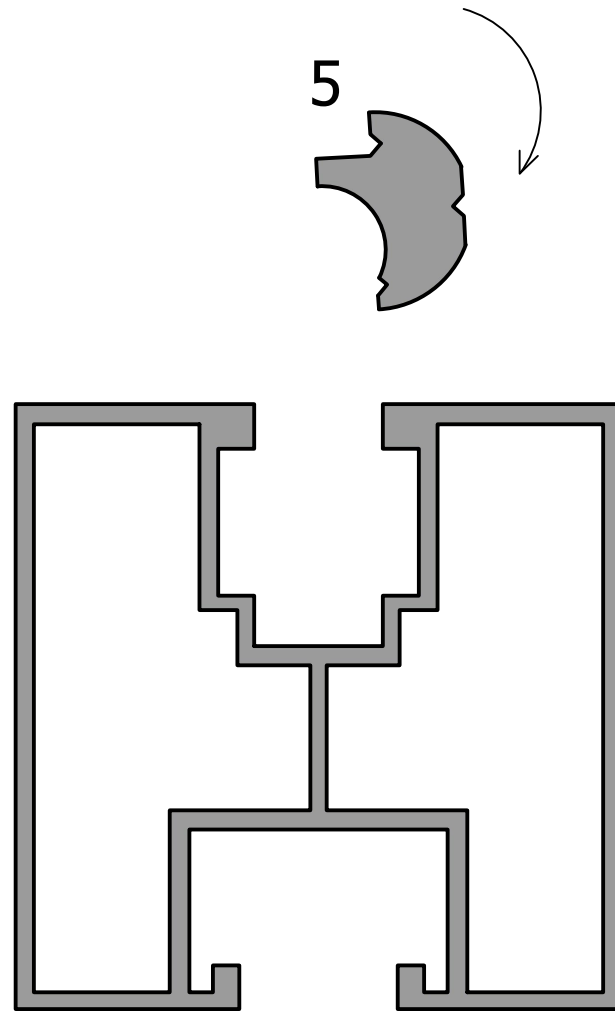
After the hooks have been positioned and fixed in the formwork, the mounting profiles are placed on them.



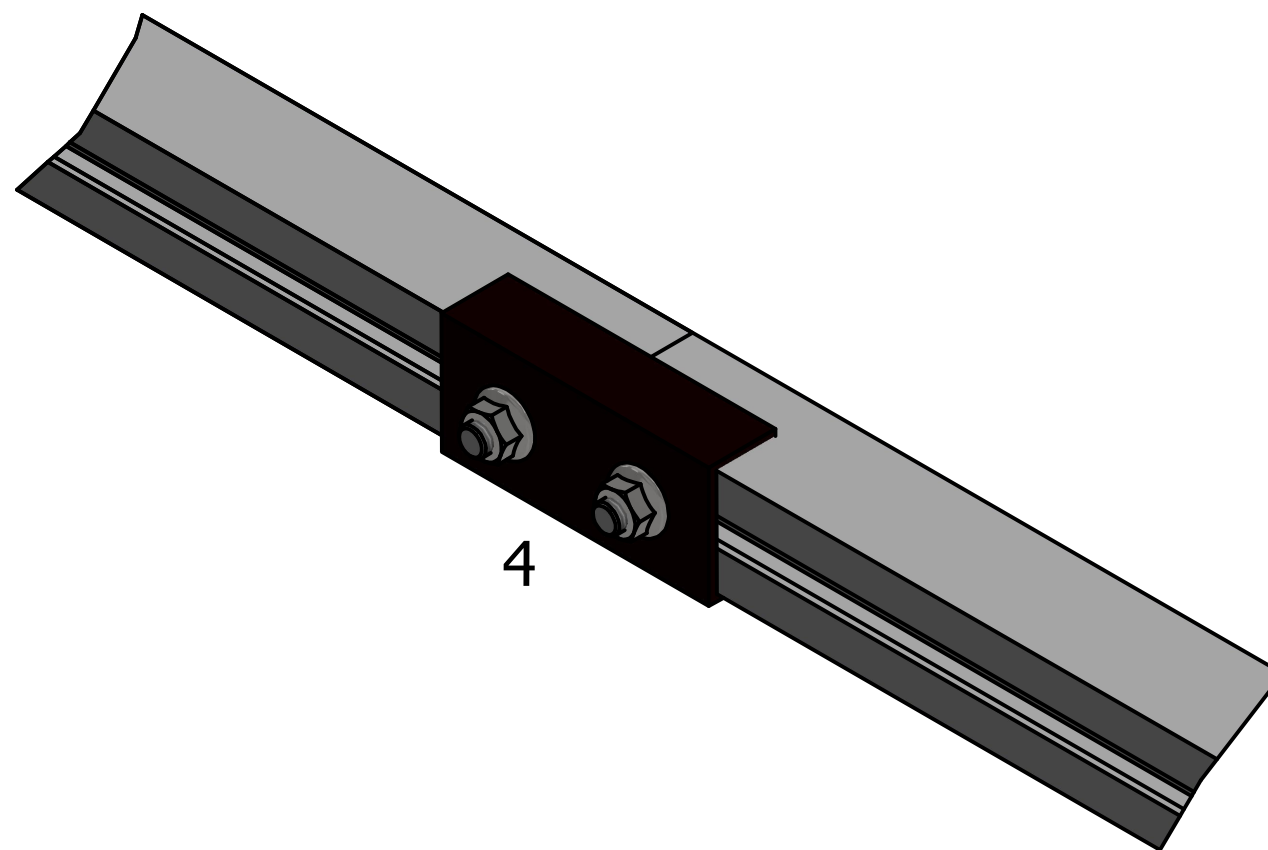
A



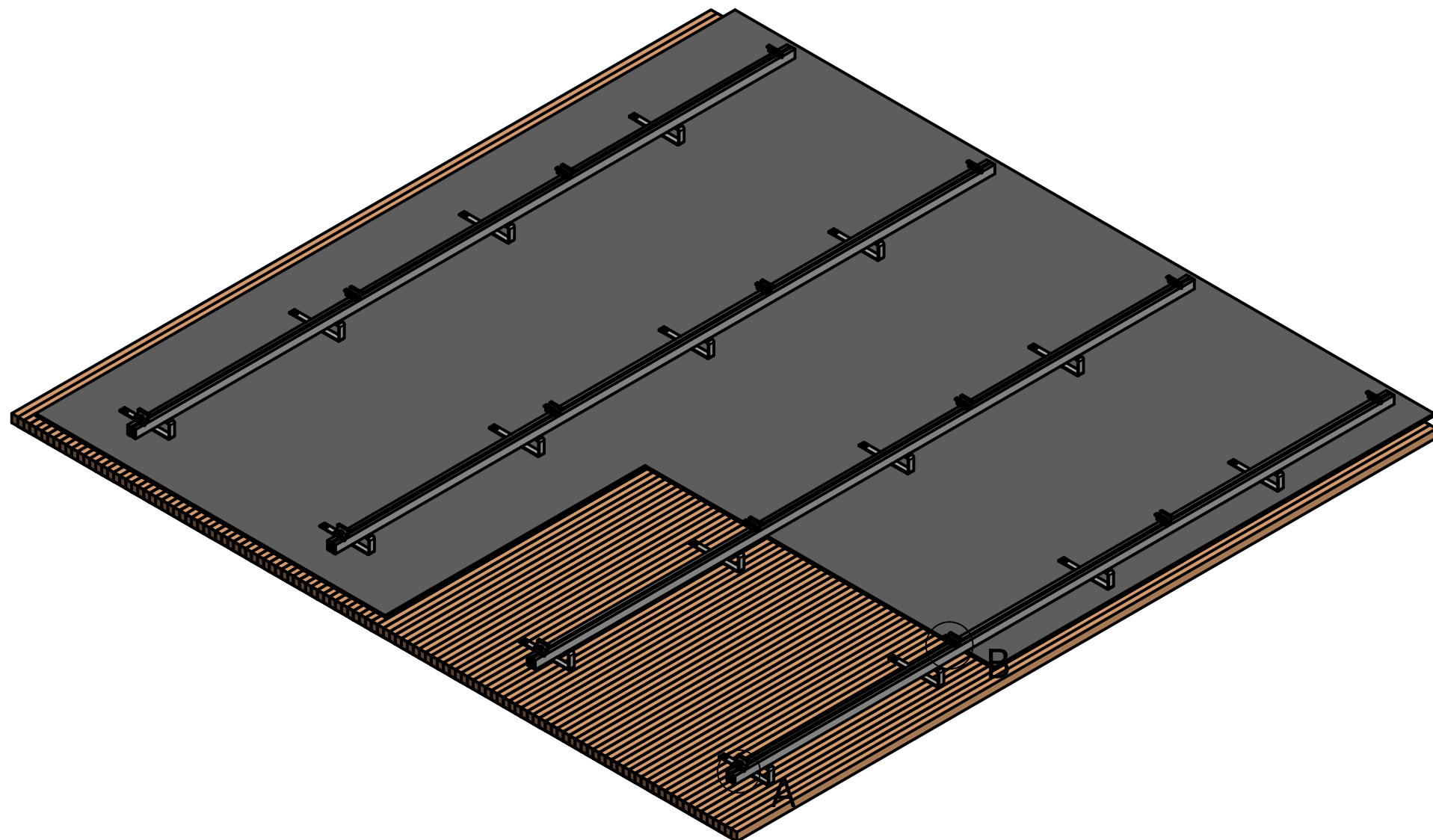
Tighten the mounting profiles with hexagon bolts M10x20 (cat. no. 501020) and flange nuts cat. no.5010K).



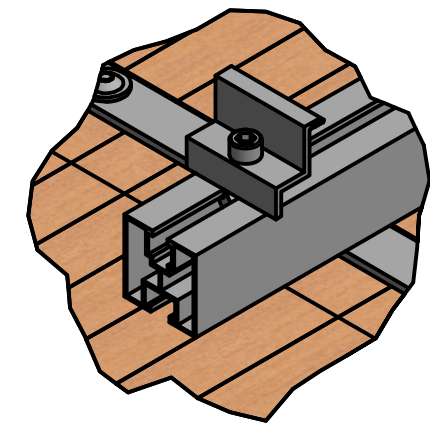
Then place the aluminum drain in the profiles (cat. no. 50032).



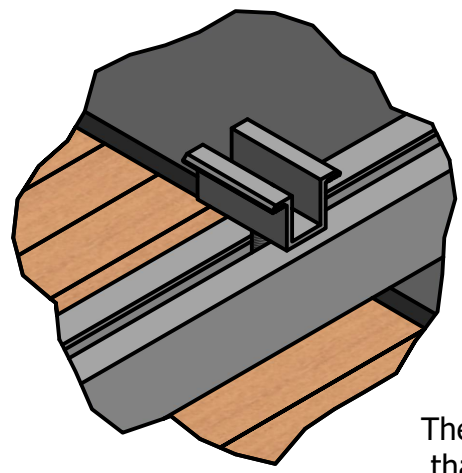
Two profiles are connected by C120 connectors by use of the hexagonal bolts M10x20 (cat. no. 501020) and the flange nuts M10 (no. cat. 5010K).



A



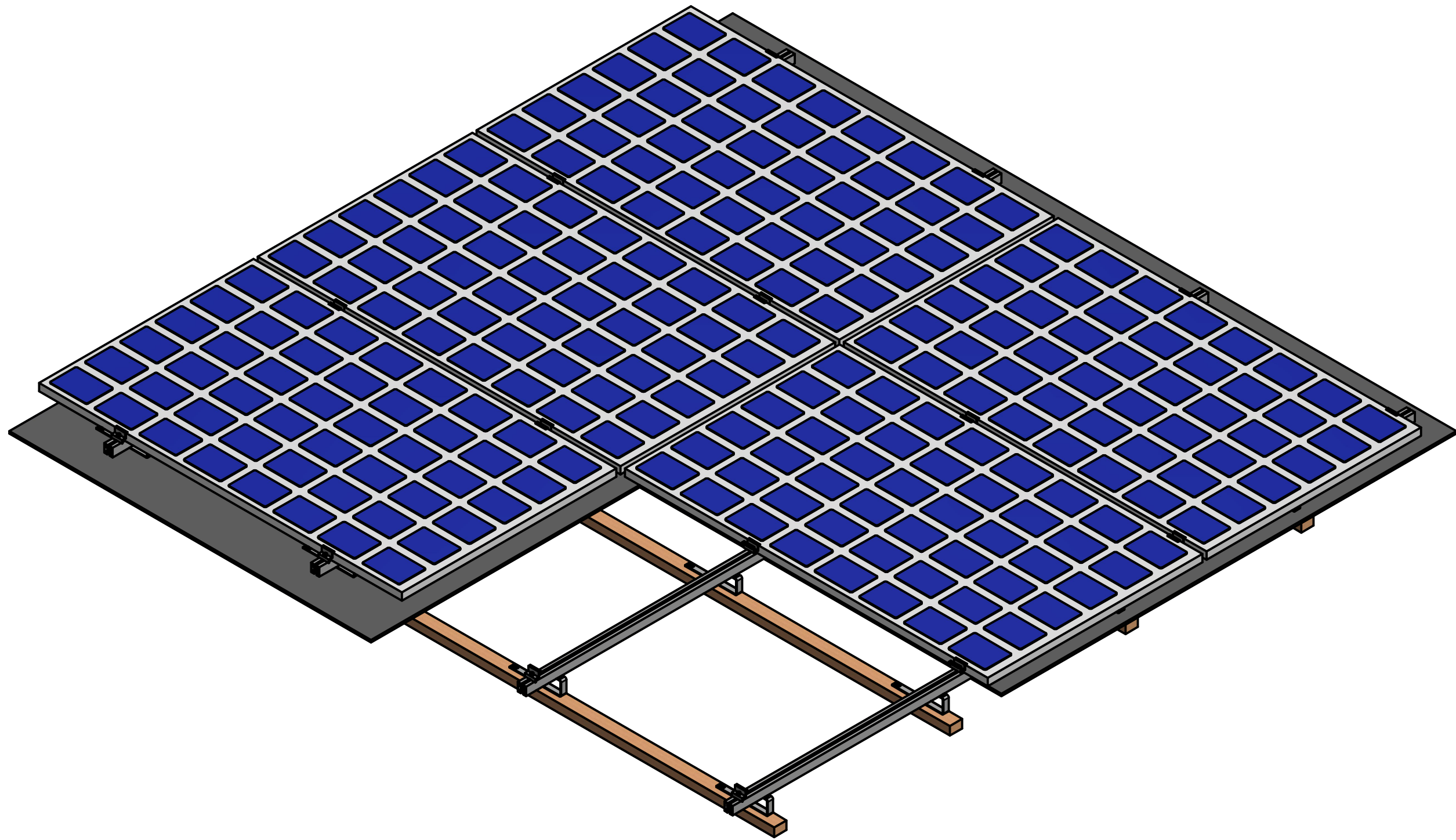
B



The blank drains will be occupied by the mid clamp (cat. no.10U24/10U24R), thanks to them two adjacent modules are separated from each other.

To the aluminum drain that is placed on the profiles, fix the metal end clamps (cat. no. 10XX/10ZXXR) using the allen bolt M8** (they need to be screwed into the aluminum drain), remember to do not screw them too hard as due to the need to change the module.

***-"XX" is the clamp height in millimeters (25,30,32,35,40)mm, R is the clamp height in black.**
**** -Thread length for Allen screw M8 (16,20,25,30)mm.**



In the last step, deploy the modules on the structure,
set them properly and then screw the mid clamps and end clams.